

JACK

China No.1

Computerized Cylinder-bed Interlock Machine



Jack Wechat



Jack Sewing
Machine Co.,Ltd.



JK-8669BDII-UT

JACK SEWING MACHINE CO.,LTD.

No. 15 Airport South Road, Jiaojiang District, Taizhou, Zhejiang, PRC
TEL: 0086-576-88177782 88177767
FAX: 0086-576-88177787

E-mail: sales@chinajack.com
www.chinajack.com

JK-8669BDII-UT

Name: Computerized Cylinder-bed Interlock Machine
 Feature: High Efficiency Stabilization Automation

JK-8669BDII-UT Advantages



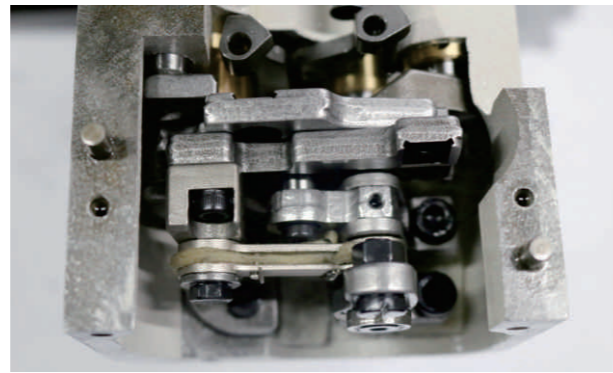
1 For thin and heavy fabrics, One machine with multi functions

Enlarge the sewing range, suitable for various of fabrics like jeans and yarn



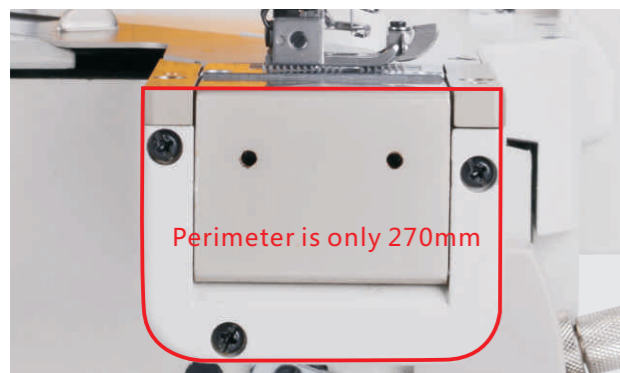
2 Out-moved Thread Cam, Easy Operation

Out-moved thread cam makes threading and cleaning thread easily



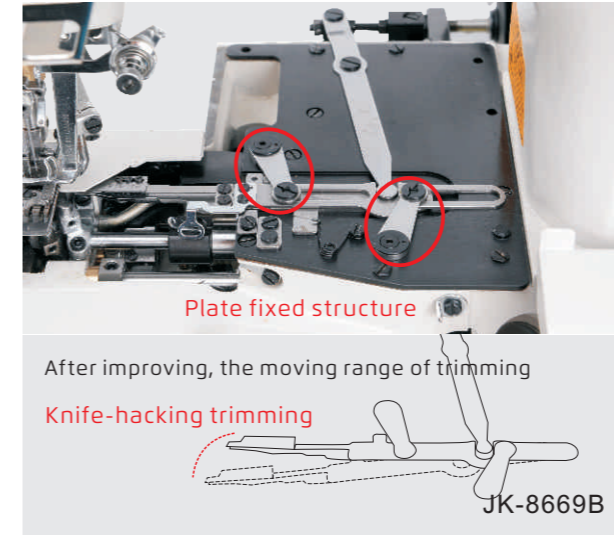
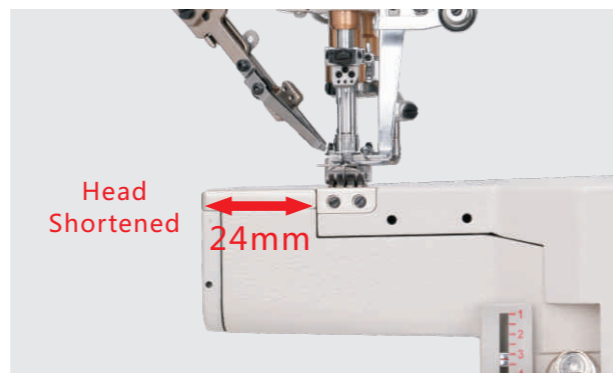
3 New design of feed dog holder, avoid needle breaking and stitch jump

New design of feed dog holder makes functions more stable and stitch more beautiful. Avoiding needle breaking and stitch jump

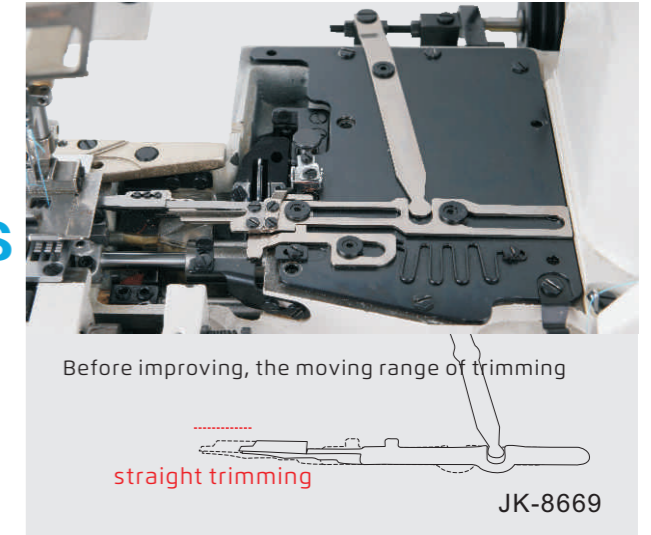


4 Small cylinder bed, easy to feed

Perimeter only 270mm; Shorter bed design; Easy to feed and with high efficiency



VS

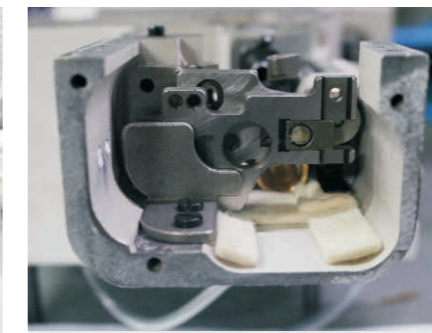


5 Reset cutter structure, trimming thread is more precise

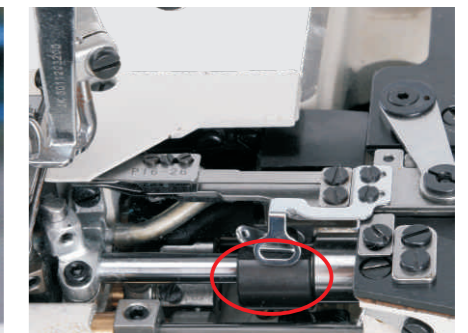
Before improving, trimming structure is easy to loose; Sometimes straight trimming cannot trim successfully. After improving, with the fixing of trimming structure, the function is more stable; Knife-hacking trimming, 100% trimming precisely



Needle bar



Feed dog holder



Slide bar

6 Triple mechanisms make oil return forcibly. The product is clean

Needle bar does not leak oil; Feed dog holder does not dump oil; Slide bar does not eject oil

Technical parameter

				(mm)	(mm)		(mm)	(S.p.m)	UT		(mm)	NW/GW (kg)
JK-8669B-01GB	11#/14#	3	5	1.5-4.5	5.6/6.4	0.8-1.3	6.2	5500	✓	✓	600×390×630	50/61
JK-8669BDI-01GB	11#/14#	3	5	1.5-4.5	5.6/6.4	0.8-1.3	6.2	5500	✓	✓	630×390×630	50/61
JK-8669BDII-01GB/UT	11#/14#	3	5	1.5-4.5	5.6/6.4	0.8-1.3	6.2	5500	✓	✓	680×420×630	54/64
JK-8669BDII-35AC/UT	11#/14#	3	5	1.5-4.5	5.6/6.4	0.8-1.3	6.2	5500	✓	✓	680×420×750	54/66