

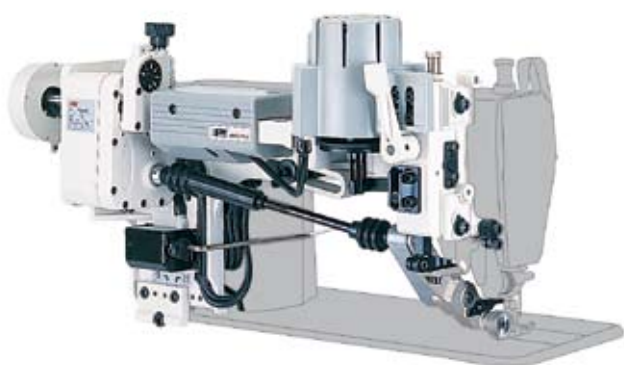
# 拖輪系列產品 PULLER ATTACHMENT



## 提昇品質與產量必備利器

Necessary Attachment to Improve Efficiency and Upgrade the Quality

### PS 小輪、單針、雙針車用(標準型) FOR SINGLE OR TWIN NEEDLE(REGULAR) SMALL ROLLER

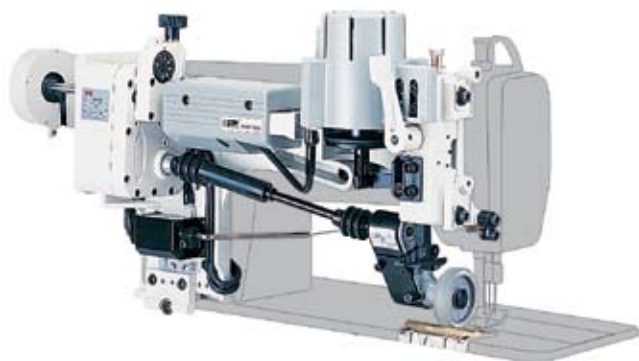


- 拖輪不用時可以提升
- Disengage roller if not needed

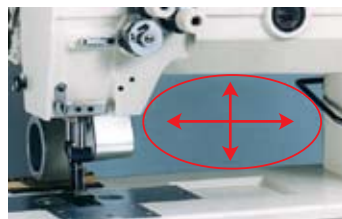


- 獨特設計，拖輪與車針距離超近，適合薄物，短距離即彎弧縫製。
- Extremely close pulling, facilitates curve and short sewing on thin materials.

### PL 單針、雙針車用(標準型) FOR SINGLE OR TWIN NEEDLE(REGULAR)

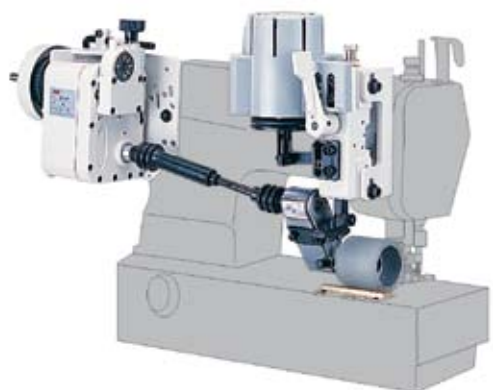


- 寬廣的操作空間
- With Large Space for Operation

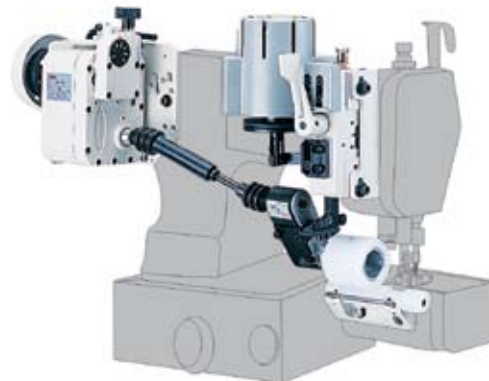


- 具多種選擇性拖輪，能適應不同質料之車縫。
- With various optional rollers for different kinds of materials.

### PL-S1 飾縫車用 FOR FLAT BED COVERSTITCH



### PL-S2 筒型飾縫車用 FOR CYLINDER BED COVERSTITCH



※請參照第10、11頁產品說明  
※ PLEASE REFER TO PRODUCT SPEC. PER P. 10 & P. 11