

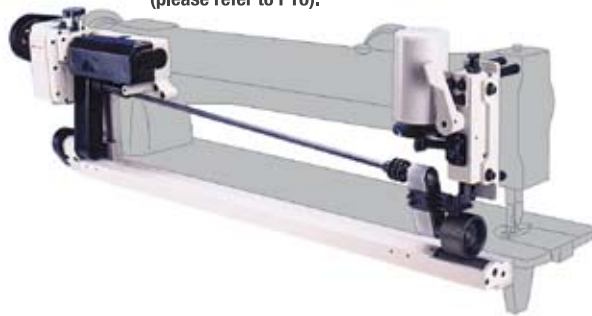
拖輪系列產品 PULLER ATTACHMENT

PT 單針、雙針車用・上下輪驅動(標準型)
FOR SINGLE OR TWIN NEEDLE WITH UPPER AND LOWER ROLLERS(REGULAR)



PT-L 長臂型・接受訂貨生產
FOR LONG ARM, AVAILABLE FOR CUSTOM-MADE

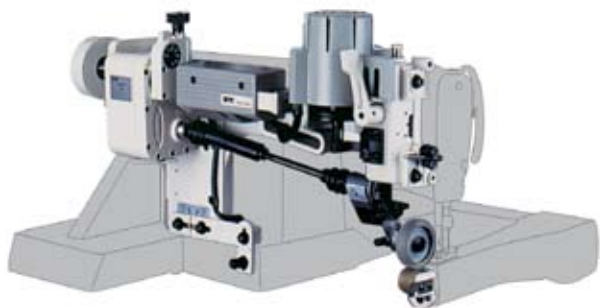
訂貨時告知拉布輪提昇高度及操作空間(參照P10)
Please advise the roller lifting height and operation space
(please refer to P10).



腕型車系列 FOR FEED-OFF-THE-ARM

PF 一般布料用・上輪驅動
For General Fabric, Top Driven Roller

PF-H 厚物用・上輪驅動
For Heavy Duty, Top Driven Roller

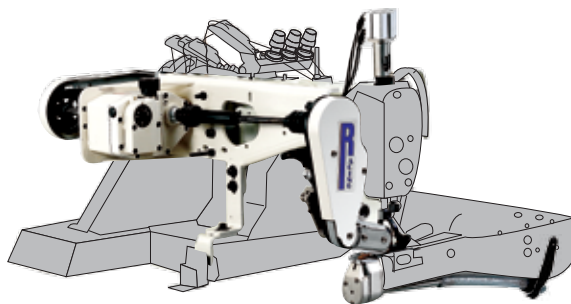


PF-HB/ECV/AF 

厚物，極厚物用皮帶式拖輪(附厚物專用 1/8" x 1/8" 針距組)
Belt type puller for Extra Heavy Duty (with gauge set 1/8" x 1/8" for heavy duty)

PF-RB/ECV/AF 

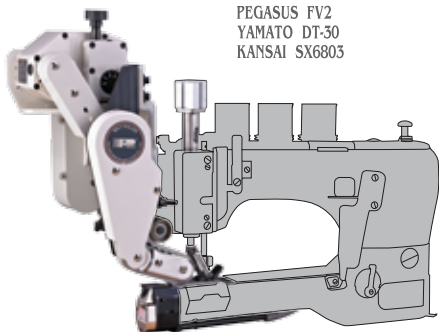
一般布料用皮帶式拖輪
BELT PULLER FOR REGULAR FABRIC



PF-UB/EFV/AF 

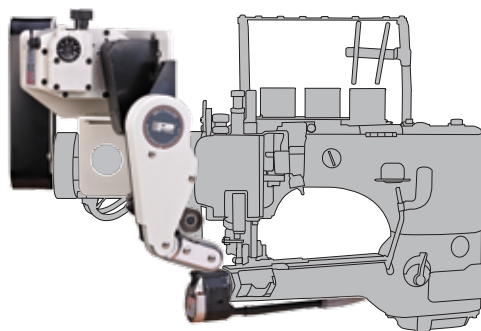
厚物，極厚物用皮帶式拖輪
(針距組: 9/64"x9/64"或1/8"x1/8"擇一選用)
Belt Type Puller for Extra Heavy Duty
(Gauge Set: 9/64"x 9/64" or 1/8"x1/8" Alternative)

適用機型: U.S. 35800
Adaptable Machine Model: JUKI MS3580
PEGASUS FV2
YAMATO DT-30
KANSAI SX6803



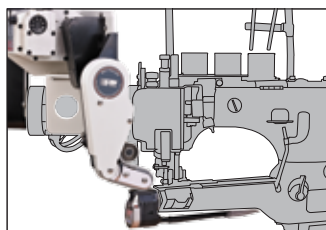
PF-FB/EFV 

四針六線用皮帶式拖輪
Belt Type Puller for Flat-Seamer

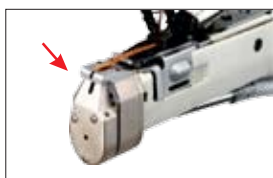


配件說明(選擇配件) Description of accessory (Optional parts)

ECV, EFV 電動式自動切線裝置
Electronic chain cutter



註: 本裝置可單獨購買
Remark: This device can be
ordered individually.



AF 氣動式壓腳提升裝置
Pneumatic presser foot



※請參照第10、11頁產品說明
※ PLEASE REFER TO PRODUCT SPEC. PER P.10 & P.11

 需空壓設備
Air compressor required