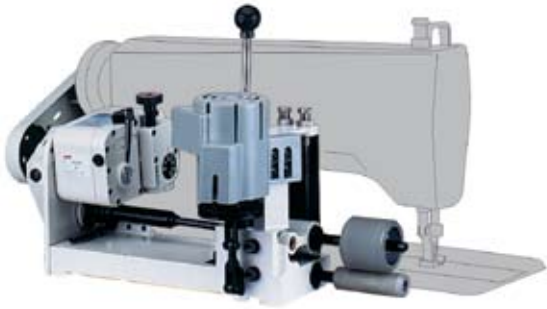


拖輪系列產品

PULLER ATTACHMENT

PY 單針、雙針車用·上下輪驅動
FOR SINGLE OR TWIN NEEDLE MACHINES,
PULLER WITH UPPER AND LOWER ROLLERS



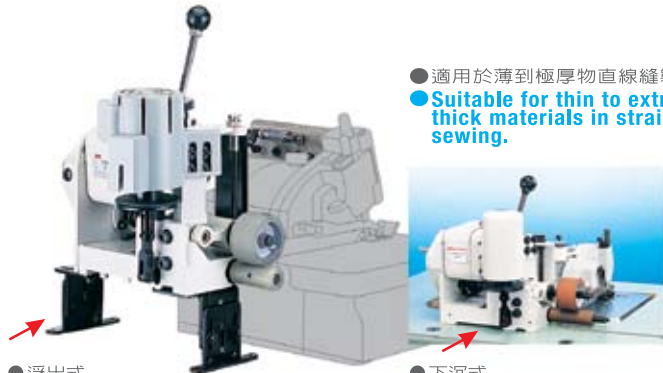
PY-SP 前拉式(義大利麵專用)
FRONT PULLER
(FOR SPAGHETTI SEWING)



PY-C 飾縫車用
FOR COVERSTITCH



PK 包縫車用·上下輪驅動
FOR OVERLOOK MACHINES, PULLER WITH UPPER AND LOWER ROLLERS

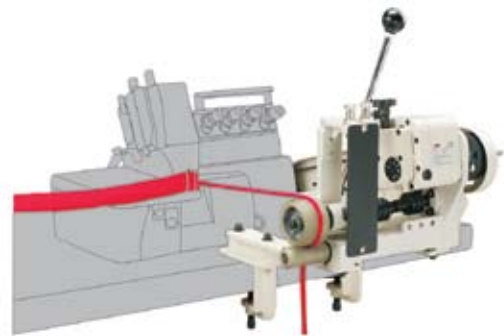


- 適用於薄到極厚物直線縫製。
- Suitable for thin to extremely thick materials in straight sewing.

● 浮出式
● Floating type

● 下沉式
● Submerged type

PK-SP 前拉式(義大利麵專用)
FRONT PULLER (FOR SPAGHETTI SEWING)



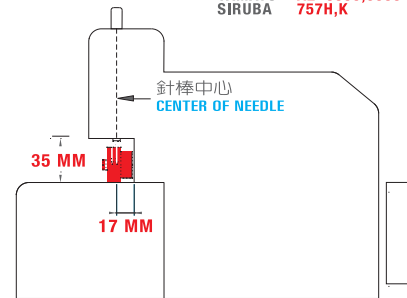
PG 包縫車用·小輪(薄物用)
FOR OVERLOCK MACHINES, PULLER WITH A REAR DRIVEN BELT



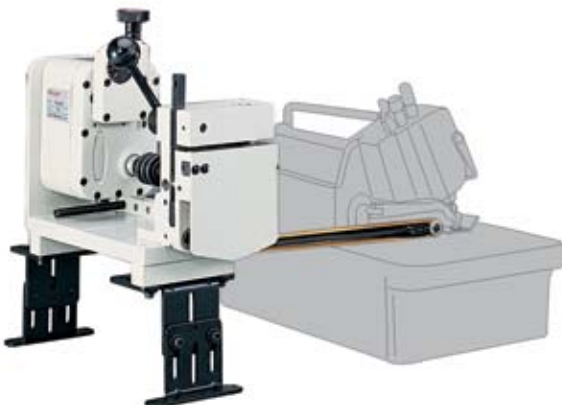
【本拖輪不能裝在附有水平或垂直式自動切線裝置的包縫車上】
This puller is unable to install onto overlock machine with either vertical or horizontal automatic thread-chain cutter.

PG 系列所需要的基本空間
Space Limitation For PG Series

- 適用機型：
 - Available Models :
- 例：
Example :
- | | |
|---------|--------------|
| JUKI | MO 3000,6000 |
| PEGASUS | EX, MX, M |
| BROTHER | N, V |
| YAMATO | AZ 8000,6000 |
| SIRUBA | 757H, K |



PR 包縫車用·皮帶後送(薄物用)
FOR OVERLOCK MACHINES, PULLER WITH A REAR DRIVEN BELT



- 不受空間限制，各種廠牌機型均可安裝。
- Suitable for every machine without space limitation.



- 獨特設計，皮帶與車針距離超近。
- 適用於柔軟光滑、易皺之薄物。
- Close proximity of the rear drive belt and the needle improves sewing performance.
- Suitable for silky and easy to pucker thin materials.