

拖輪系列產品

PULLER ATTACHMENT

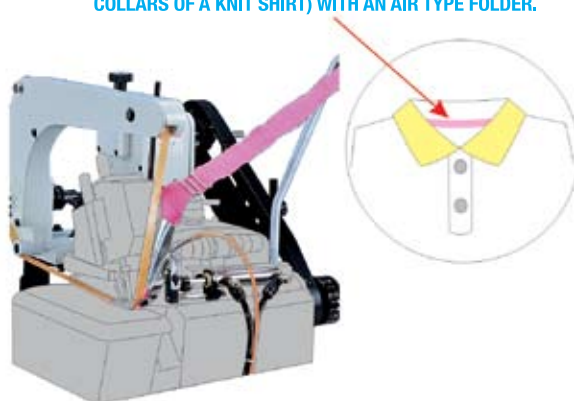
PO 三、四線包縫車用·上皮带送
 FOR 3 & 4 THREAD OVERLOCK MACHINES.
 PULLER WITH TOP DRIVEN BELTDRIVE BELT



● 上皮带驅動，適用於各種編織毛領、多層艱澀及易滑之布料。

● Simple installation with top drive belt. Suitable for different knitting collars, multi-layer tough abrasive and silky materials.

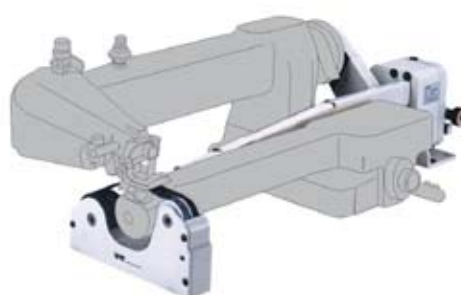
PO-F 三、四線包縫車用(有領T恤專用)附氣動式包邊器
 FOR 3 & 4 THREAD OVERLOCK MACHINES (FOR SEWING THE COLLARS OF A KNIT SHIRT) WITH AN AIR TYPE FOLDER.



PW 手臂可動型盲縫車用(適用於潛水衣布料)
 FOR BLINDSTITCH MACHINE WITH MOVEABLE ARM
 (Suitable for diving-suit material)



PW-L 手臂可動長臂型盲縫車用(適用於潛水衣布料)
 FOR LONG ARM BLINDSTITCH MACHINE WITH MOVEABLE ARM
 (Suitable for diving-suit material)



特殊機型·訂貨生產

Custom-made Order

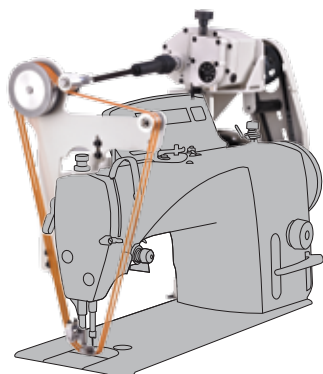
範例
 EXAMPLE

JUKI DSC-246



範例
 EXAMPLE

● 皮帶式上送拖輪
 ● Top Belt Feed puller



● 適用於各種艱澀·多層·易滑布料
 ● For Tough Abrasive, Multi-Layer and Silky fabric.

